

CHAPTER 10

REMOTE CONTROL SYSTEM

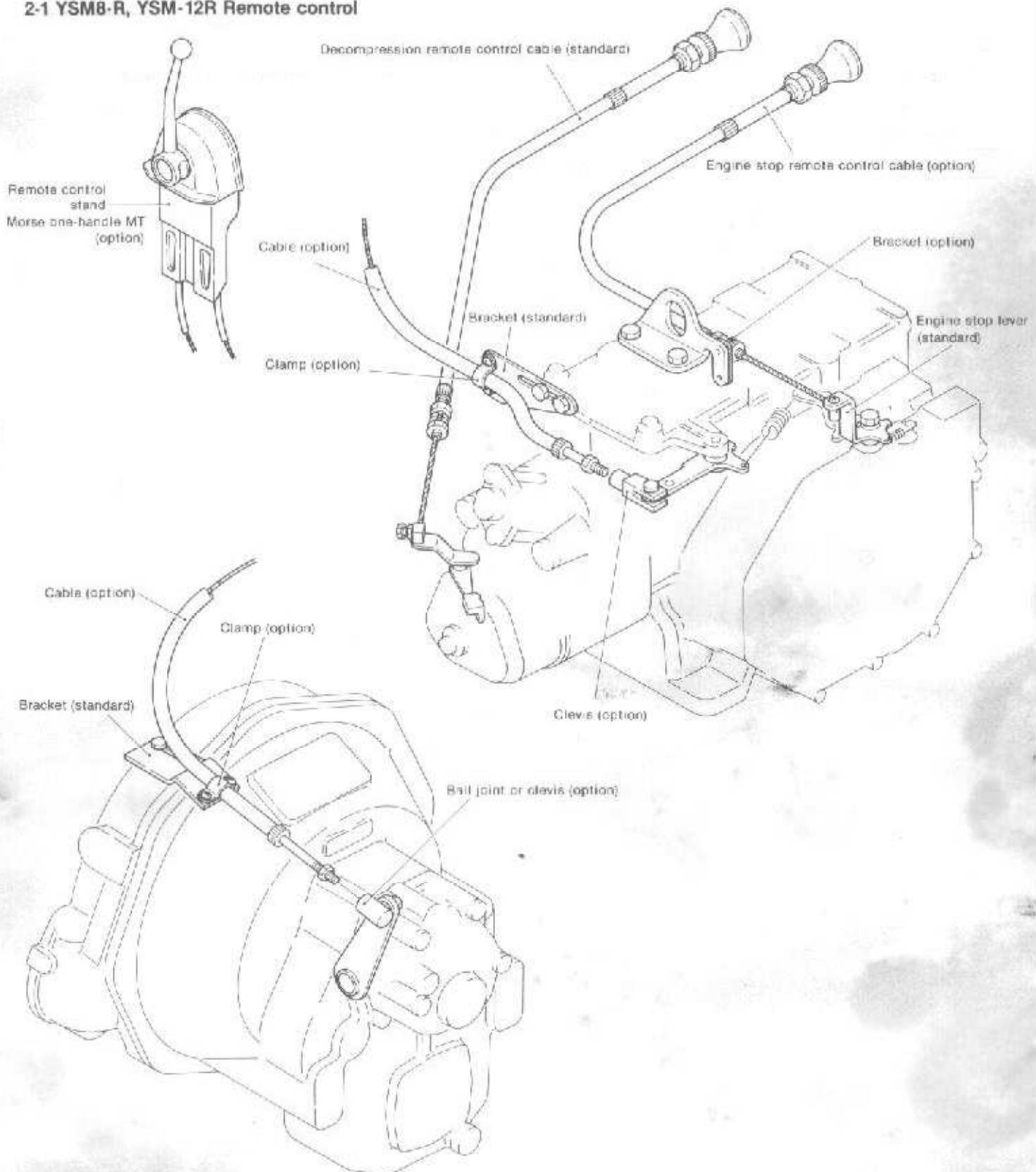
1. Composition	10-1
2. Construction	10-2

1. Composition

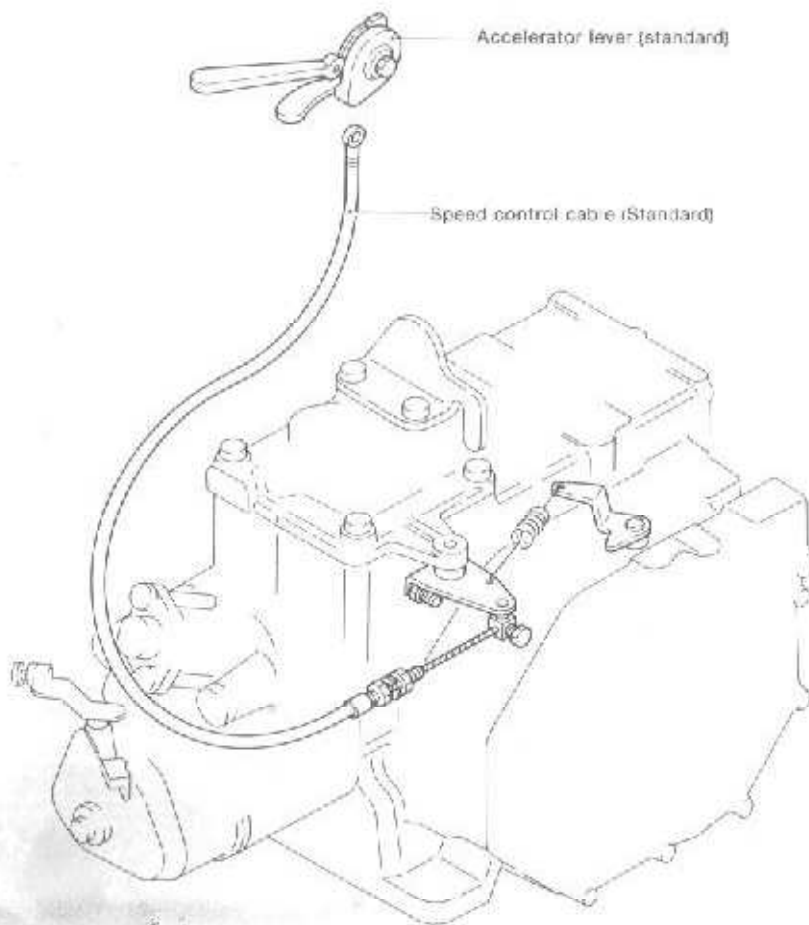
	YSM8-R YSM12-R	YSM8-Y YSM12-Y
Speed control	(Option) Morse one-handle MT	(Standard) Yanmar made
Clutch control	Bracket: Standard	—
Decompression control	(Standard) Yanmar made	—
Engine stop control	(Option) Yanmar made	—

2. Construction

2-1 YSM8-R, YSM-12R Remote control

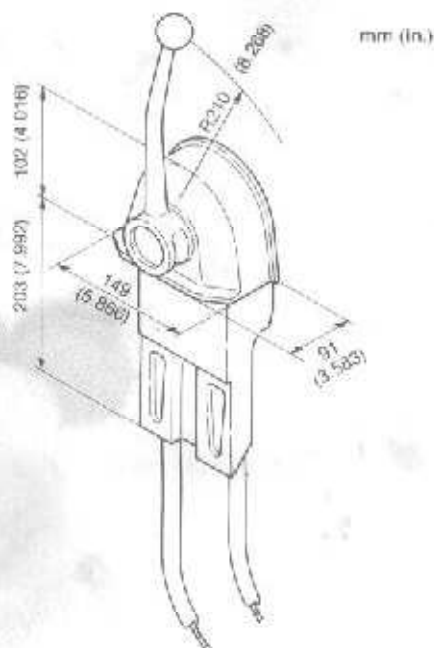


2-2 YSM8-Y, YSM-12Y Remote control



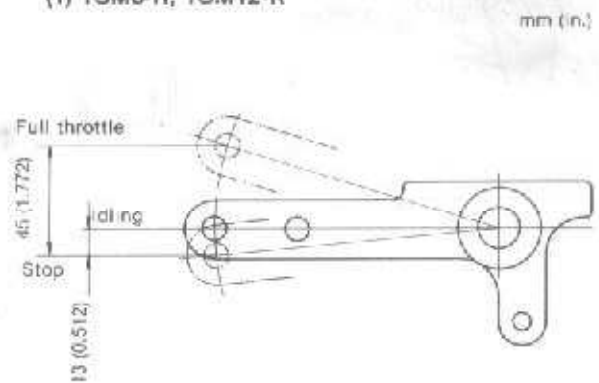
2-3 Action of the lever

1. Morse one-handle Remote Control Lever

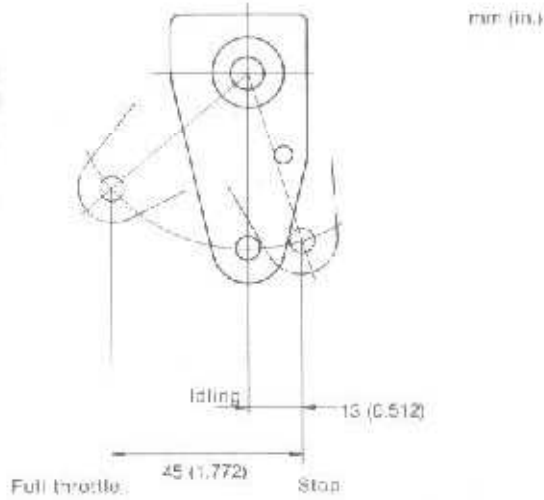


2. Regulator lever

(1) YSM8-R, YSM12-R



(2) YSM8-Y, YSM12-Y



3. Clutch lever

